

# Rebuilding the Food Processing Industry

Rebuilding the Food Processing Industry

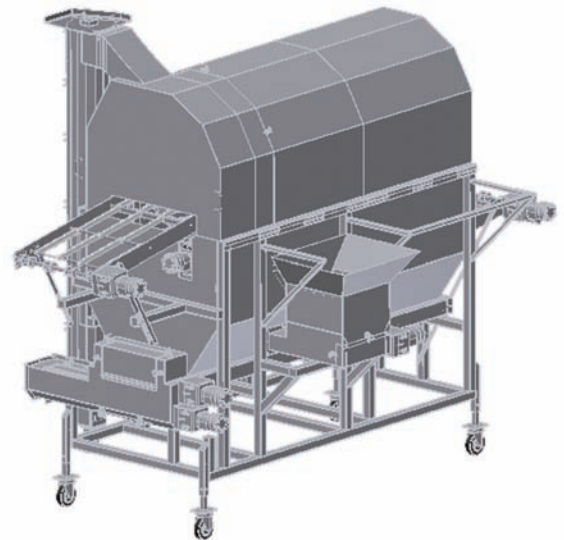


## ABJ Drum Breader

# Machine Features

- 1 Available with hydraulic or electric drive systems
- 2 Open design for easy cleaning
- 3 Access doors shelter drum from foreign objects, also reduces breading dust
- 4 Heavy-duty construction for extended durability and reliability.
- 5 Designed to handle a variety of irregularly shaped products
- 6 Independently driven drum for variable dwell times
- 7 Drum is designed so product moves toward discharge while excess breading is removed before the discharge conveyor
- 8 Ensures uniform product coating
- 9 Engineered and designed for optimum production/reduced downtime
- 10 Equipped with a pre-drum sprinkle feature to enhance product coating
- 11 Drum is mounted on a tilt adjustable frame for more precise control of product throughput
- 12 Larger drum design than most other OEM's which allows for higher production yields
- 13 Built to USDA standards
- 14 Continuous Technical Support

Pictured: ABJ Drum Breader BB-500



[www.abjequipfix.com](http://www.abjequipfix.com)

### ABJ Warranty Policy

ABJ Equipfix will repair or replace any ABJ manufactured component that fails due to defect in material or workmanship within 12 months from shipment.

\*All OEM parts covered by individual warranties.

THE ABJ DRUM BREADER IS IDEAL FOR FLOUR PRE-DUST APPLICATION WHERE A UNIFORM COATING ON IRREGULAR SHAPES IS REQUIRED.