

Rebuilding the Food Processing Industry

Rebuilding the Food Processing Industry

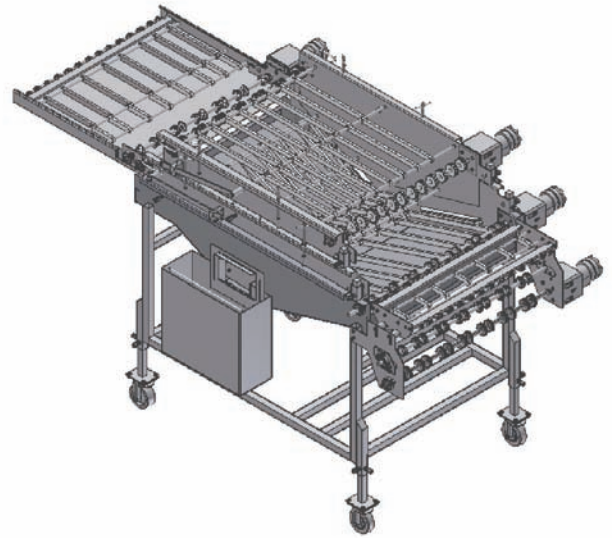


ABJ Batter Applicator

Machine Features

- ① Stainless steel construction with US standard fasteners, bearings, sprockets, belting, and shafts.
- ① Usable with 16", 24", 34", or 40" belt widths.
- ① Controls are ergonomically designed.
- ① Hydraulic drive system allows diverse speeds.
- ① 3/8" pitch wire belt including roller discharge.
- ① One top blower tube above the product belt included.
- ① Designed with standard connections for tie into other breaders.
- ① Top submerger is equipped with direct drive for easy cleaning and maintenance.
- ① Industrial strength batter transfer pump.
- ① Continuous technical support.
- ① Assistance available for install and set-up.
- ① Up to 30 gallon batter capacity on select models.
- ① Compact construction to minimize footprint.
- ① Easy to clean, reducing food safety issues.

Pictured: Batter Applicator



www.abjequipfix.com

ABJ Warranty Policy

ABJ Equipfix will repair or replace any ABJ manufactured component that fails due to defect in material or workmanship within 12 months from shipment.

*All OEM parts covered by individual warranties.

OUR BATTER APPLICATORS ARE DESIGNED FOR HIGH-CAPACITY COATING LINES. UNITS ARE AVAILABLE WITH BOTH TOP SUBMERGER AND OVERFLOW CONFIGURATIONS.